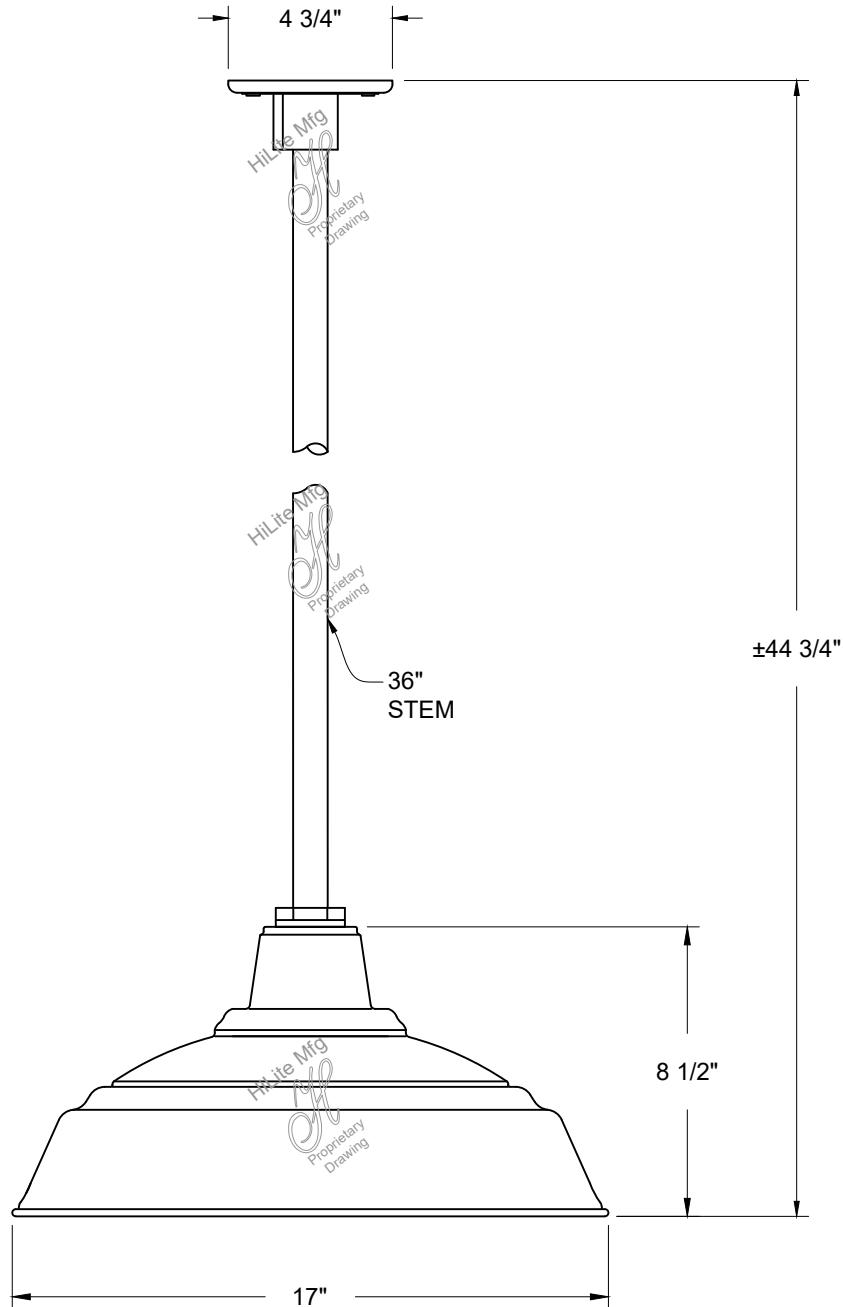




# HI-LITE MFG. CO., INC.

13450 Monte Vista Avenue  
 Chino, California 91710  
 Telephone: (909) 465-1999  
 Toll Free: (800) 465-0211  
 Fax: (909) 465-0907  
 www.hilitemfg.com

|           |       |       |
|-----------|-------|-------|
| JOB NAME: |       |       |
| SCALE:    | DATE: | TYPE: |
| N.T.S.    |       |       |
| DRAWN BY: | QTY:  |       |
| S.M.      |       |       |
| SHEET:    | REV:  |       |



**DAMP LOCATION**

|                                  |         |         |
|----------------------------------|---------|---------|
| Item Number                      | Wattage | Voltage |
| H-QSN15117-SA/QSN36"ST3/QSNHDSMC | 200W    | 120V    |

**Finish**  
 91-Black, 93-White, 96-Galvanized,  
 145-Oil Rubbed Bronze

**Mounting**  
 Stem Mount

**Lamp/Socket**  
 1-Medium Base INC

\*\*\*Confidential and Proprietary. The information contained on this page is the sole property of Hi-Lite Mfg. Co., Inc. Any reproduction, redistribution, or use to profit from in part or as a whole without prior written authorization of Hi-Lite Mfg. Co., Inc. is unlawful, against trade laws and will be prosecuted to the fullest extent.